

2J7C01MC2F

GNSS/L1L2 Magnetic Mount

Key Features

GPS/GLONASS/BeiDou/QZSS/Galileo/
SBAS/RTK/L1L2

- 1227 and 1561-1606 MHz

High Precision Navigation

Magnetic Mount

Low Profile

28 dB Gain

Pre-Filter

Low Noise Figure

Low Power Consumption

Ground Plane Independent

Customizable Cable and Connector

Dimensions Ø 54 × 21.5 mm

Certificates: IP67, IP69



1. Antenna and electrical specifications

Cable 1

Parameters	GNSS Active Antenna	
	GPS/Glonass/Beidou/QZSS/Galileo/SBAS/RTK/L1L2	
Technologies	GPS/Glonass/Beidou/QZSS/Galileo/SBAS/RTK/L1L2	
Bandwidth (MHz)	1227	1561-1606
Bands	L2	L1
Frequency (MHz)	1227.6	1561.09, 1575.42, 1602.00
Standards	GPS(L2C), QZSS(L2C)	GPS(L1C), GLONAS(L1OF), BeiDou(B1) QZSS(L1C), Galileo(E1), SBAS (L1)
Return Loss (dB)	~-17.1	~-16.2
VSWR	~1.5:1	~1.7:1
Passive Peak Gain (dBi)	~-4.9	~-4.4
Impedance (Ohms)	50	
Radiation Pattern	Hemispherical	
Axial Ratio (dB)	3dB max	
Polarization	RHCP	
Voltage Range (V)	2.3 - 6	
Active Gain (dB)	28 @ 3V	
Noise Figure (dB)	1.6 @ 3V	
Current Consumption (mA)	16 @ 3V	
Power Consumption (mW)	48 @ 3V	
Saw Filter Type	Pre-Filter	
Out of Band Rejection (dB)	~40	
ESD Protection (kV)	2	
Connector Type	SMA-Male Standard (Other Connectors Available)	
Cable Length	300 cm Standard (Any Cable Length Available)	
Cable Type	LL100 Standard (Other Cables Available)	

Antenna Measurement Conditions:

Mounted on Ground Plane of 30 x 30 cm

30 cm of Cable LL100

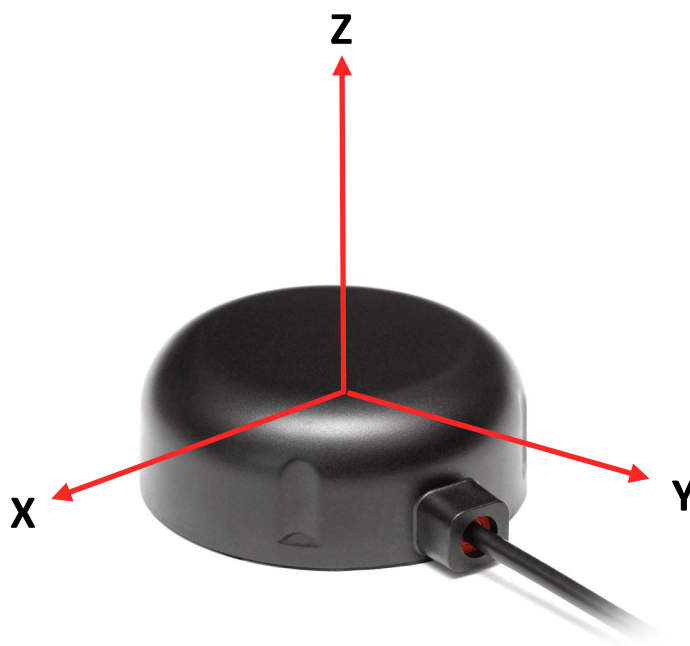
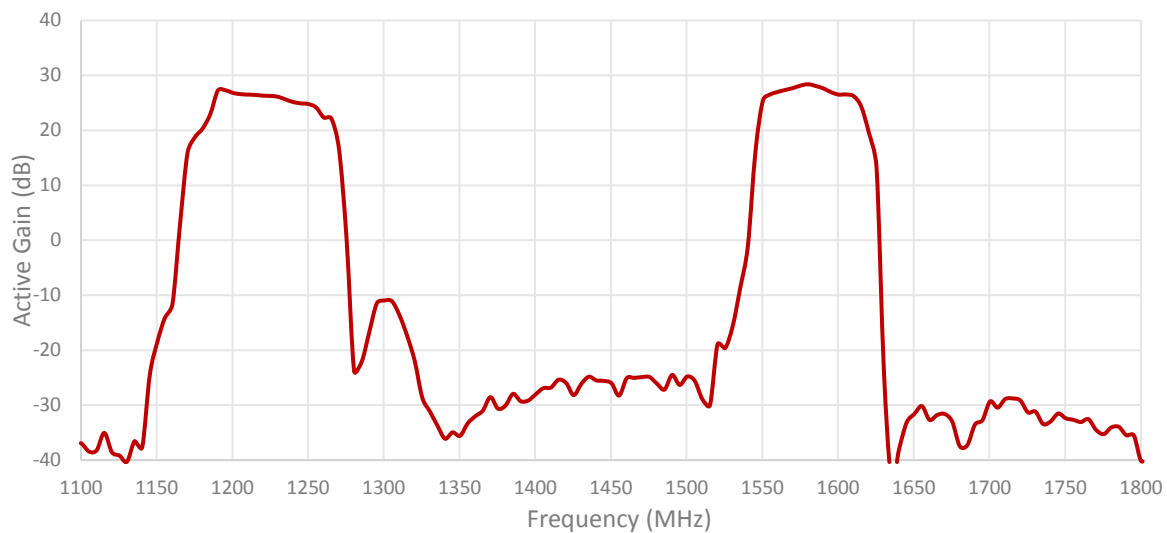
Measured in Certified CTIA 3D Anechoic Chamber

2. Mechanical and environmental specifications

Specifications	2J7C01MC2F
Mounting Type	Magnetic Mount
Dimensions (mm)	Ø 54 × 21.5
Radome Type	ASA UV Stable
Radome Color	Black, White
Operating Temperature (C)	-40 to +85
Storage Temperature (C)	-40 to +85
Substance Compliance	RoHS
Certificates	IP67, IP69

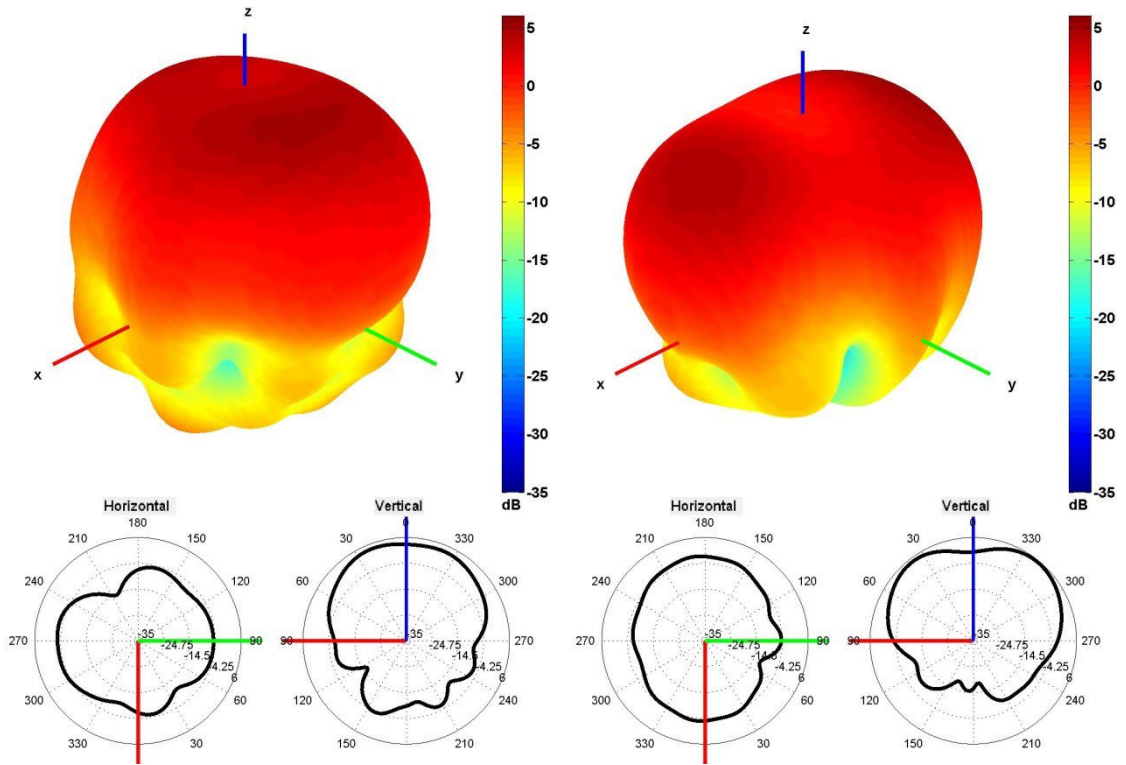
3. Antenna parameters

Cable 1: GNSS/L1L2

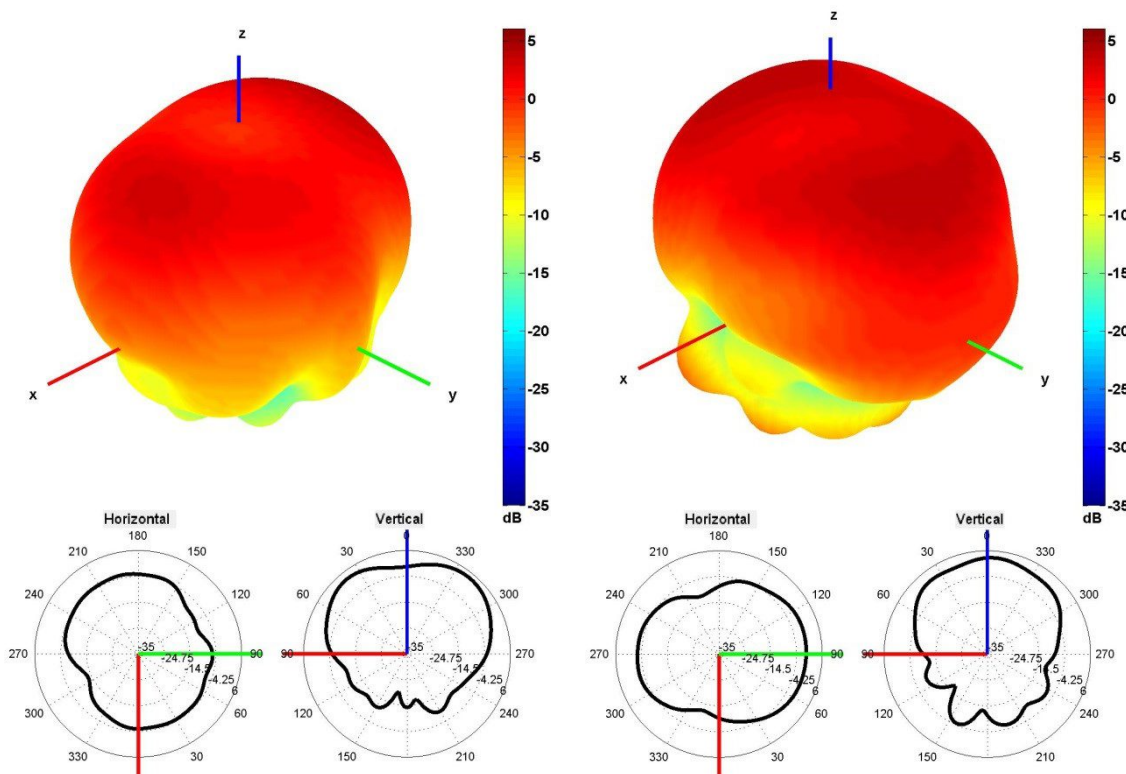


Radiation pattern reference

Cable 1: GNSS/L1L2

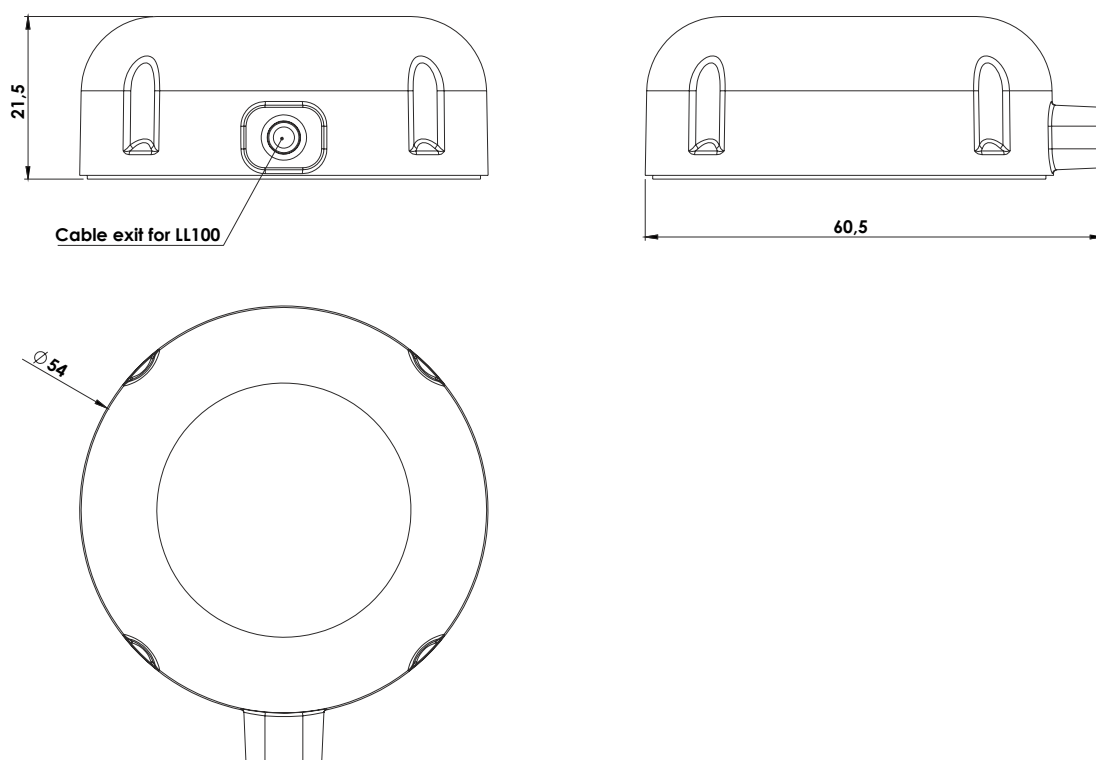


1227 AND 1561 MHz Radiation pattern



1575 AND 1602 MHz Radiation pattern

4. Antenna drawings



5. Antenna Images

